

STORAGE SOLUTIONS FOR KITCHENS



Everything starts with an idea. An idea that we believe in, that drives us every day and that surprises and excites us again and again.

“ *We want
to create high-quality system
solutions for living spaces.
For everyone.* ”

This is the idea that Hermann Vauth and Heinrich Sagel created in 1962. And that we still hold on to today. Every day. To us space is in the eye of the beholder. We see solutions where others look away. We never rest on our laurels. We are always thinking one step ahead and looking for new challenges in order to recognize and redefine the living spaces of tomorrow and to facilitate and beautify everyday life.



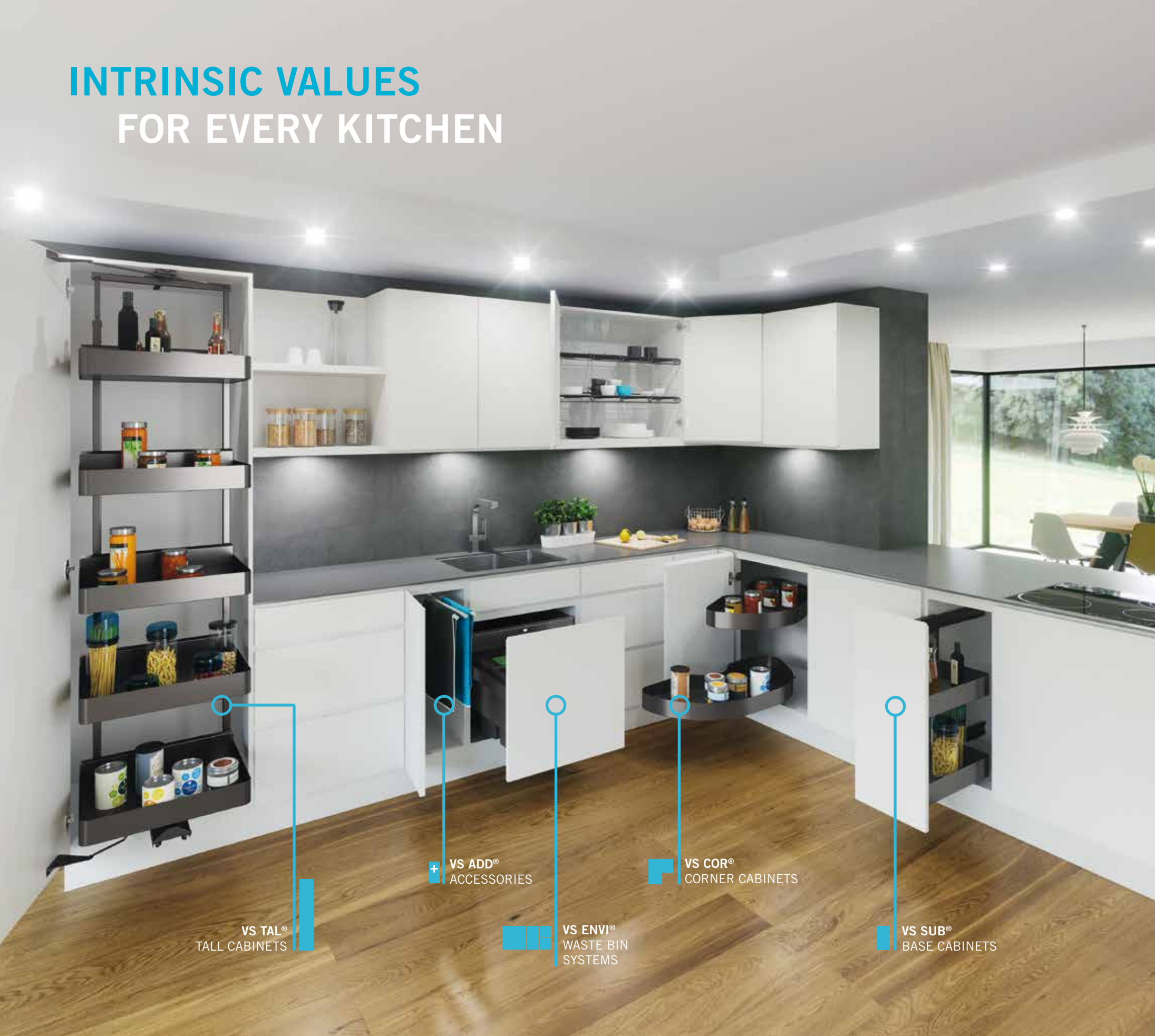
Carlo Casagrande & Co Oy is a Finnish family - owned company specializing in imports and wholesale. Our business - idea is to offer our customers leading quality, great product - range and service, which are important factors for success in the demanding times. To our product - range belongs components for sliding doors, cabinets for sliding doors and kitchen, and mechanisms and cabinets for kitchen. All our logistic functions are centralized to Lapinjärvi, 90 km east from Helsinki. Modern, 23 000 m² storage space enable us to deliver all our products effectively and fast, from the same place. Economical stability is very important for long-term business relationships, which is why that we are proud to have gotten the Good Credithworthiness - certificate from Soliditet Ltd. In addition to our competitive prices, we also have invested in the efficiency and smoothness of all our activities. Therefore it is not a coincidence, that you can find the most competitive products, competent service and rapid deliveries from us.



” *A good kitchen
is a good part
of a good life.*

The kitchen is the centre of household life, in all continents on earth. Priorities differ depending on the cultural area, with design customized according to the tastes and way of life of the residents – but it's always the place where people come together. Where people not only cook and eat together, but also talk, laugh and communicate with each other. A kitchen that is perfectly tailored to the desires and needs of its users, that optimally utilizes all spaces and that combines material quality, convenience, functionality and aesthetics is the ideal to which we have been committed to for more than 50 years.

INTRINSIC VALUES FOR EVERY KITCHEN



VS TAL®
TALL CABINETS

+ VS ADD®
ACCESSORIES

VS ENVI®
WASTE BIN
SYSTEMS

VS COR®
CORNER CABINETS

VS SUB®
BASE CABINETS

CONTENT

VARIANTS

Design variants and shelf design 09

VS SUB® - BASE CABINETS

VS SUB® Slim 13
 VS SUB® Side 15
 VS SUB® Flex 17
 VS SUB® Basket 19
 VS SUB® Sink 21

VS ENVI® - WASTE BIN SYSTEMS

VS ENVI® Center 25
 VS ENVI® Drawer 27
 VS ENVI® Space 29
 VS ENVI® Space XX Pro 31
 VS ENVI® Kick 33

VS ADD® - ACCESSORIES

VS ADD® T.O.M. 35

VS COR® - CORNER CABINETS

CORNERSTONE® MAXX 39
 CORNERSTONE® Swing 41
 VS COR® Wheel Pro 43
 VS COR® Fold 45
 VS COR® Flex 49

VS TAL® - TALL CABINETS

VS TAL® Larder 55
 VS TAL® Larder Basic 59
 VS TAL® Larder Power move 61
 VS TAL® Gate 63
 VS TAL® Gate N 67
 VS TAL® Larder Spin 69
 VS TAL® Bottle 15 & VS TAL® Rack 15 71

ABOUT VAUTH-SAGEL

75



DESIGN VARIANTS

VERSATILE AND FLEXIBLE.

Shape and material are often a matter of taste when choosing baskets. That's why the entire Vauth-Sagel basket line is designed as a modular system in which the guide and the frame can each be combined with all shelf variants.



Classic
Classic mesh chrome or RAL9006 wire basket.



Saphir
Saphir mesh chrome or RAL9006 wire basket.



Premea
Premea solid white wooden base with chrome or RAL9006 wire frame.



Planero
Wooden base with powder coated steel border.



Rail
White shelf with chrome/ RAL9006 rail

IS
SUE

VS SUB[®] - BASE CABINETS

The base cabinet is the fundament of every kitchen. What happens under the work top is as important as what happens on top. Whether food or cooking utensils, cutlery or dishes, whether for

a small student's flat or a trendy loft – our base cabinet solutions are intelligent, versatile and flexible in order to make every day life easier.



VS SUB® Slim with two storage racks



VS SUB® Slim Towel



VS SUB® Slim Tray

VS SUB® Slim

NO GAP IS TOO SMALL.

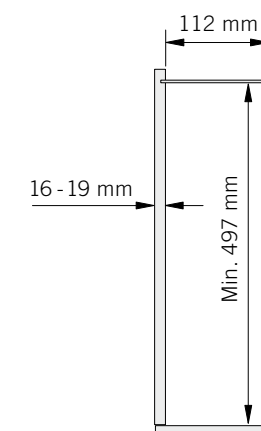
Niches in the kitchen often remain unused – until now. Two fixed racks transform the smallest gap into a stacking-space miracle for storing towels or baking trays.

DETAILS

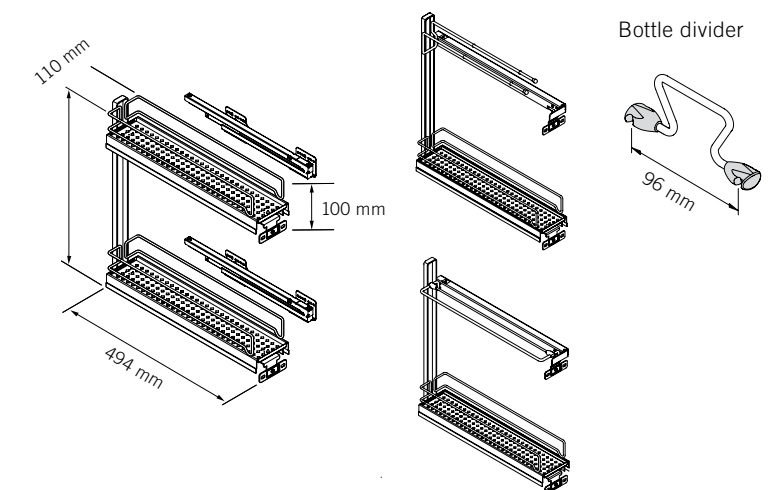
- ✓ Cabinet width: 150 mm
- ✓ Minimum installation depth: 495 mm
- ✓ Minimum installation height: 530 mm
- ✓ EasyFit: tool-free installation onto the runners
- ✓ Three versions: two storage racks, towel holder and baking tray storage
- ✓ 3D front adjustment allows simple, convenient front adjustment
- ✓ Integrated soft-closing and self-closing on both runners
- ✓ Load capacity: max. 6 kg per shelf element

Art. No.	Cabinet width	Details	TR
0190001949	150 mm	VS SUB® Slim, RAL9006	0652
0290001950	150 mm	VS SUB® Slim Towel, RAL9006	0652
04190004110	150 mm	VS SUB® Slim, chrome	0652
04290004111	150 mm	VS SUB® Slim Towel, chrome	0652
04390004112	150 mm	VS SUB® Slim Tray, chrome	0652
090006658	150 mm	VS SUB® Slim, lava grey	0652
090006659	150 mm	VS SUB® Slim Towel, lava grey	0652
0390002784		VS SUB® Slim, Basket divider, RAL9006	0652

Cabinet dimension



Product dimension





VS SUB® Side I Saphir



VS SUB® Side I Premea

VS SUB® Side

ALWAYS AT YOUR SIDE.

The demands in the kitchen change at a rapid pace. The traditional system that fits into any space has been redeveloped in terms of design and functionality. Our basic pull-out hence is an unbeatable bestseller.

DETAILS

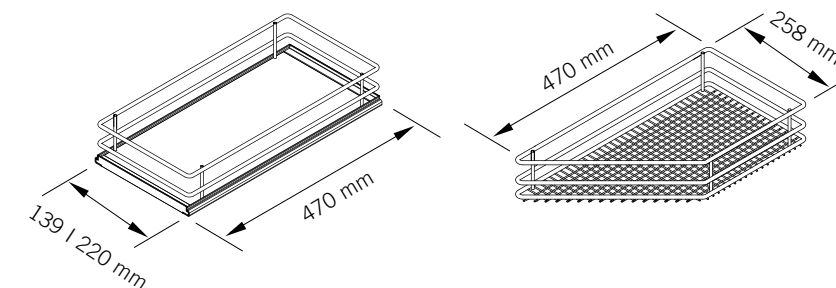
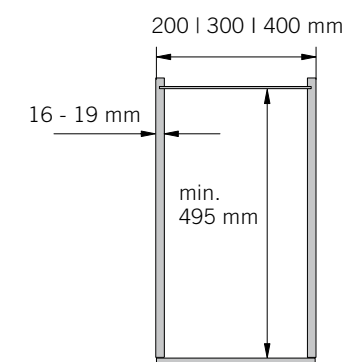
- ✓ Cabinet widths: 200, 300 and 400 mm
- ✓ Minimum installation depth: 495 mm
- ✓ Minimum installation height: 620 mm
- ✓ Unhanded
- ✓ EasyFit: tool-free connection to front
- ✓ Storage units for towels and baking trays
- ✓ Individual height adjustment for baskets
- ✓ 3D front adjustment allows simple, convenient front adjustment
- ✓ Integrated soft-closing and self-closing
- ✓ Installation template: no measuring necessary when installing in cabinet
- ✓ Load capacity: max. 20 kg
- ✓ Storage versions: Saphir, Premea and Planero

Art. No.	Cabinet width	Details	TR
90006400		VS SUB® Side, frame, RAL9006	0655
90006434	200 mm	VS SUB® Side, Saphir, chrome	0655
90006437	200 mm	VS SUB® Side, Premea, white chrome	0655
90006388	300 mm	VS SUB® Side, Saphir, chrome	0655
90006479	300 mm	VS SUB® Side, Premea, white chrome	0655
90006397	400 mm	VS SUB® Side, Saphir, chrome	0655
90006663		VS SUB® Side, frame, lava grey	0655
90007672	300 mm	VS SUB® Side, Planero, lava grey	0655
90006390	300 mm	VS SUB® Side 45, left, Saphir, chrome	0655
90006391	300 mm	VS SUB® Side 45, right, Saphir, chrome	0655
90002629	300 mm	VS SUB® Side, Basket divider, chrome	0655

Note: Set includes two VS SUB Side baskets.

Cabinet dimension

Product dimension



VS SUB® Side I Planero



VS SUB® Flex | Saphir

VS SUB® Flex

STORAGE SPACE WITH ROOM TO PLAY.

Height-adjustable storage elements are attached to either side at the second and third level to individually adjust the storage needs to use the available storage space even more flexibly and individually bottle storage elements can be ordered instead. Thanks to an integrated damping, opening and shutting the base cabinet operates extremely quietly. That's why the height adjustable shelf element on the second and third level, divided on both sides, allows for individualized adjustment of storage space heights. The base cabinet is very quiet to open and close, thanks to integrated shock absorption.

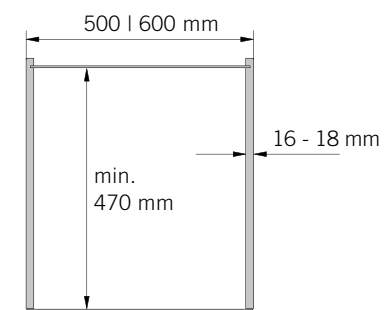
DETAILS

- ✓ Cabinet widths: 500 and 600 mm
- ✓ Minimum installation depth: 470 mm
- ✓ Minimum installation height: 650 to 850 mm
- ✓ Height-adjustable storage elements at the second and third level
- ✓ Storage units for bottles
- ✓ Individual height adjustment for baskets
- ✓ 3D front adjustment allows simple, convenient front adjustment
- ✓ Integrated soft-closing and self-closing on both runners
- ✓ Load capacity: max. 40 kg
- ✓ Storage version: Saphir

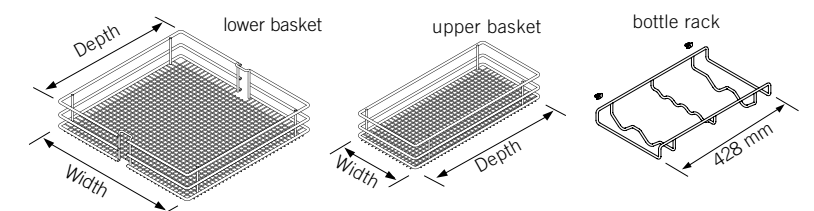
Art. No.	Cabinet width	Details	TR
119A90004202	500-600 mm	VS SUB® Flex, frame, RAL9006	0656
119D90004282	500 mm	VS SUB® Flex, upper basket, Saphir, chrome	0656
119B90004279	500 mm	VS SUB® Flex, bottom basket, Saphir, chrome	0656
119E90004283	600 mm	VS SUB® Flex, upper basket, Saphir, chrome	0656
119C90004280	600 mm	VS SUB® Flex, bottom basket, Saphir, chrome	0656
119F90004291		VS SUB® Flex, bottle basket, chrome	0656

Note: Please order 1 set of front attachment for front pull-out drawers.

Cabinet dimension



Product dimension



Cabinet width 500 mm

Baskets	Width	Depth
Upper basket	212 mm	430 mm
Lower basket	450 mm	430 mm

Cabinet width 600 mm

Baskets	Width	Depth
Upper basket	262 mm	430 mm
Lower basket	550 mm	430 mm



VS SUB® Basket I Saphir

VS SUB® Basket

A NICE MOVE TO THE BASKET.

Basket pull-out with integral self-closing and soft-closing for installation in cabinets with hinged doors or cabinets with door fronts. Usable as a front or internal pull-out, this basket pull-out is equipped with a self-closing mechanism and integrated shock absorption system.

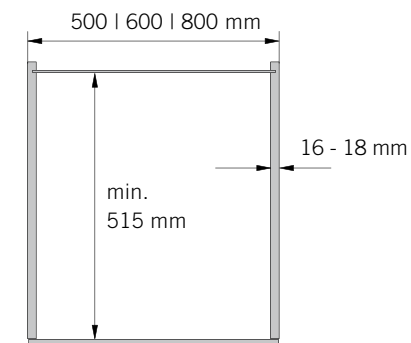
DETAILS

- ✓ Cabinet widths: 500, 600 and 800 mm
- ✓ Minimum installation depth: 515 mm
- ✓ Minimum installation heights: 185 mm with runner, front attachment for front pull-out
- ✓ Variants with spacing strip for installation behind a door
- ✓ Mounting of the baskets on the runners without tools
- ✓ 3D front adjustment allows simple, convenient front adjustment
- ✓ Load capacity: max. 20 kg per basket
- ✓ Storage version: Saphir

Art. No.	Cabinet width	Details	TR
1490001048		VS SUB® Basket, front attachment, chrome	0657
11A90000947	500 mm	VS SUB® Basket, front pull-out Saphir, chrome	0657
1290000959	600 mm	VS SUB® Basket, front pull-out, Saphir, chrome	0657
1390001527	800 mm	VS SUB® Basket, front pull-out, Saphir, chrome	0657
1590000953	600 mm	VS SUB® Basket, inner pull-out, Saphir, chrome	0657
1690001521	800 mm	VS SUB® Basket, inner pull-out, Saphir, chrome	0657

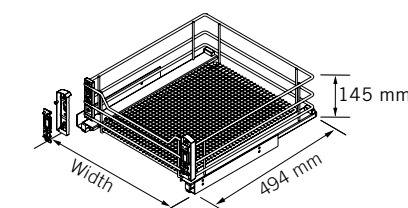
Note: Please order 1 set of front attachment for front pull-out drawers.

Cabinet dimension

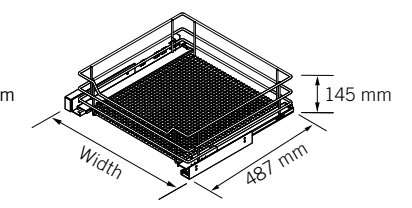


Product dimension

Front pull-out basket



Basket pull-out



Cabinet width	Front pull-out basket width	Basket pull-out width
500 mm	438 mm	413 mm
600 mm	538 mm	513 mm
800 mm	738 mm	713 mm



VS SUB® Sink

A PULL-OUT AWASH WITH GREATNESS.

The kitchen sink contains unused potential. The storage space in front of and next to it is significant. With this practical sink basket pull-out, it becomes accessible, equipped with integrated self- and soft-closing.

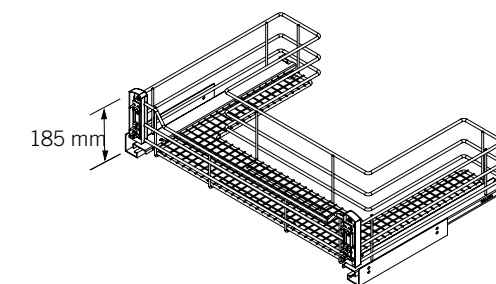
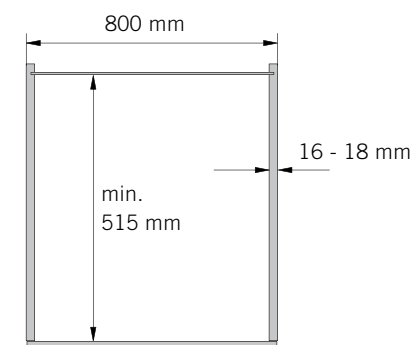
DETAILS

- ✓ Cabinet width: 800 mm
- ✓ Minimum installation depth: 515 mm
- ✓ Installation height: 185 mm with runner and front attachment
- ✓ Mounting of the baskets on the runners without tools
- ✓ 3D front adjustment allows simple, convenient front adjustment
- ✓ Load capacity: max. 20 kg per basket
- ✓ Storage version: Saphir

Art. No.	Cabinet width	Details	TR
1790002106	800 mm	VS SUB® Sink, Saphir, chrome	0657

Cabinet dimension

Product dimension





VS ENVI® - WASTE BIN SYSTEMS

Hygiene, environmental awareness and sustainability play a special role in the kitchen - especially in waste disposal. This requires system solutions which maintain both - the cleanliness of

the kitchen and a flexible separation. As a result, it's not only your own living space that stays clean, but nature as well.



VS ENVI® Center

AN ALL-AROUND SUCCESS FOR HYGIENE.

Handling kitchen waste requires reliable solutions like these: When the system is opened the lid lifts up and the bins swing out; when the system is closed, the lid is automatically placed on the bins. Cleanliness and hygiene are of prime importance. The bins are made of high-grade plastic with extra-smooth sides, making them easier to clean.

DETAILS

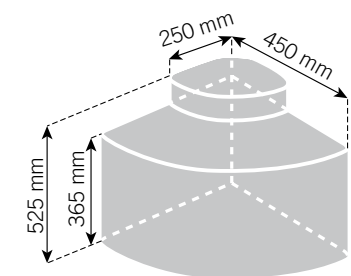
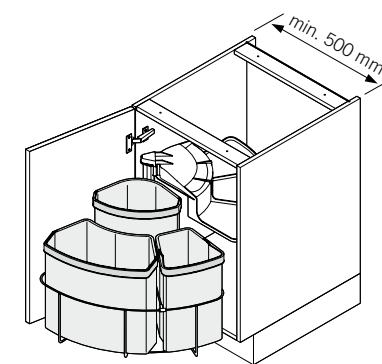
- ✓ Cabinet width: min. 500 mm
- ✓ Minimum installation depth: 450 mm for three- and four-bin versions
- ✓ Minimum installation height: min. 525 mm
- ✓ EasyFit: tool-free removal and replacement after initial installation
- ✓ Easy removal of entire system for cleaning the cupboard
- ✓ No additional strain on the front
- ✓ Bins swing out automatically when the door is opened
- ✓ Can be combined with all standard hinges
- ✓ Total capacity system: 39 litres

Art. No.	Cabinet width	Details	Capacity	TR
2247001061	500 mm	VS ENVI® Center, 3 bins	1x9, 1x12 and 1x18 litre	0661

Note: Set includes bins.

Cabinet dimension

Product dimension



VS ENVI® Center with three-bin version (1x9 litre, 1x12 litre and 1x18 litre)



VS ENVI® Drawer

MORE SPACE, MORE ORGANIZATION.

Why not get the most benefit of your waste bin cabinet? This innovative module expands the usable storage space with a drawer holding containers for cleaning and kitchen utensils. Depending on the position of the water connections, plastic containers can be suspended in the powder-coated metal framework. Two synchronized full pull-outs provide for an easy opening and soft-closing.

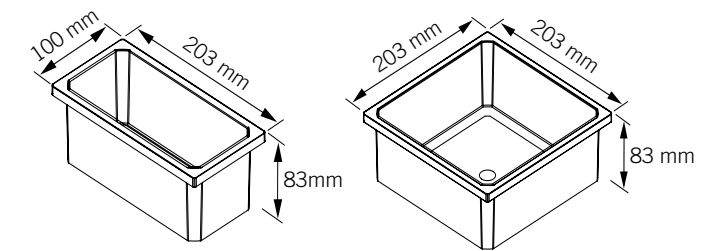
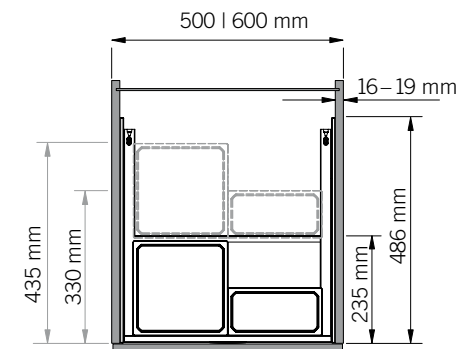
DETAILS

- ✓ Cabinet width: 500 and 600 mm
- ✓ Installation depth: 490 mm with hanging bin
- ✓ Installation height: 100 mm
- ✓ Capacity of small bin 1.2 litres, large bin 2.7 litres
- ✓ EasyFit: tool-free installation of bin support onto the runners
- ✓ Integrated installation template: no measuring necessary when installing into cabinet
- ✓ Integrated soft-closing and self-closing on both versions

Art. No.	Cabinet width	Details	TR
90006059	500 mm	VS ENVI® Drawer, 2 bins, RAL9006	0660
90006060	600 mm	VS ENVI® Drawer, 2 bins, RAL9006	0660
90006062		VS ENVI® Drawer, 1.2 litre bin, RAL9006	0660
99006061		VS ENVI® Drawer, 2.7 litre bin, RAL9006	0660
90007091	600 mm	VS ENVI® Drawer, 2 bins, lava grey	0660
90007093		VS ENVI® Drawer, 1.2 litre bin, lava grey	0660
90007092		VS ENVI® Drawer, 2.7 litre bin, lava grey	0660

Cabinet dimension

Product dimension



VS ENVI® Drawer with 2x2.7 and 3x1.2 litre bins in combination with VS ENVI® Space



VS ENVI® Space two-bin version (2x21 litre)

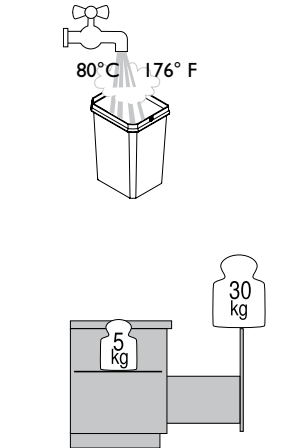
VS ENVI® Space

EVEN THE UNUSABLE NEEDS SPACE.

Dishes, cutlery, cooking utensils and food share storage space in the kitchen. But waste needs space, too. Thanks to its various volumes, this space-saving system is the optimal solution. The containers are made from high quality plastic with side walls that are especially easy to clean. The soft-close pull-out guarantees quiet, effortless closing.

DETAILS

- ✓ Cabinet widths: 400, 450, 500 and 600 mm
- ✓ Installation depth: 464 mm
- ✓ Installation height VS ENVI Space: 370 mm
- ✓ EasyFit: tool-free installation of bin support onto the runners
- ✓ Integral installation template: no measuring necessary when installing into cabinet
- ✓ Integrated 3-D front adjustment using an excenter
- ✓ Integrated soft-closing and self-closing in both runners
- ✓ Additional storage available on powder-coated removable lid
- ✓ Special insert for perfect bag fastening
- ✓ Special version with an installation depth of 310 mm for installation in front of under-worktop appliances

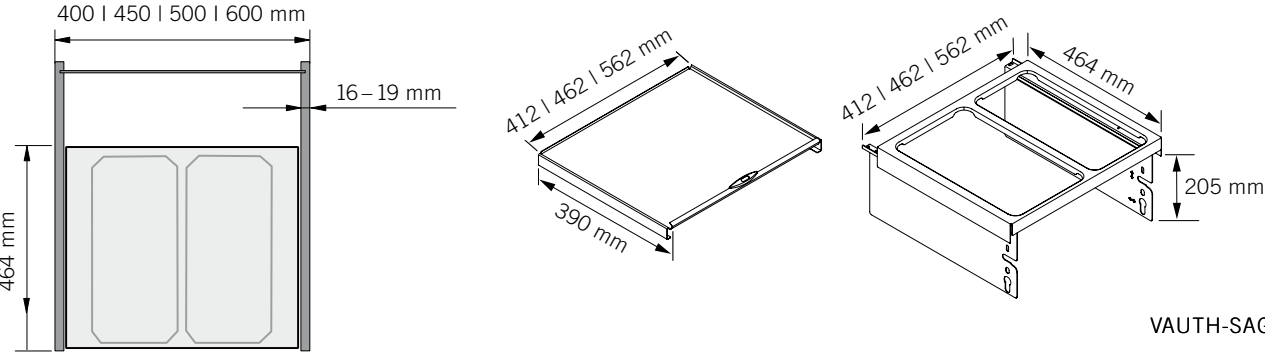


Art. No.	Cabinet width	Details	TR
1847001111	400 mm	VS ENVI® Space, 2 bins (2x10 litre), RAL9006	0658
1947001112	450 mm	VS ENVI® Space, 2 bins (2x16 litre), RAL9006	0658
2047001114	500 mm	VS ENVI® Space, 3 bins (2x10 and 1x16 litre), RAL9006	0658
2147001117	600 mm	VS ENVI® Space, 3 bins (2x10 and 1x22 litre), RAL9006	0658
21A47001118	600 mm	VS ENVI® Space, 2 bins (2x2 litre), RAL9006	0658
90007097	600 mm	VS ENVI® Space, 3 bins, lava grey	0658
91001290		VS ENVI® Space, 10 litre bin, RAL9006	0658
91001291		VS ENVI® Space, 16 litre bin, RAL9006	0658
91001292		VS ENVI® Space, 22 litre bin, RAL9006	0658

Note: Set includes bin.

Cabinet dimension

Product dimension



VS ENVI® Space with two-bin version (2x22 litres)



VS ENVI® Space XX Pro

BIG HELP IN A SMALL KITCHEN.

The space-saving VS ENVI® Space XX, with its own rail system, automatic closure and soft-close can be installed laterally in a very small kitchen unit, not necessarily below the sink, providing high-capacity, convenient waste disposal close to the worktop. Equipped with a guide system, self-closure and soft-close, it accommodates large containers even in small kitchen cabinets. The system can be used directly under the counter top, enabling easy input of waste, directly from the work surface.

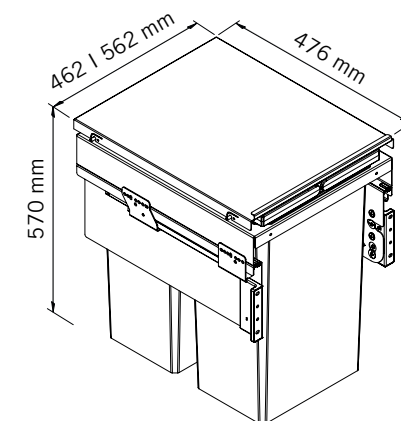
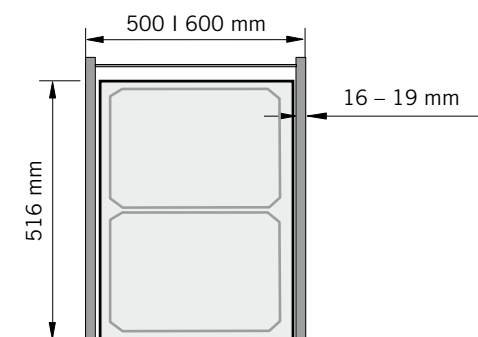
DETAILS

- ✓ Cabinet widths: 500 and 600 mm
- ✓ Installation depth: min. 515 mm
- ✓ Installation height: min. 580 mm
- ✓ Integrated 3D front adjustment using an excenter
- ✓ Integrated soft-closing and self-closing on both versions
- ✓ Additional storage available using powder-coated lid
- ✓ System capacity: 70 and 91 litres

Art. No.	Cabinet width	Details	TR
90005907	500 mm	VS ENVI® Space XX Pro, 2 bins (2x35 litre), RAL9006	0659
990005906	600 mm	VS ENVI® Space XX Pro, 3 bins (2x35 and 1x21 litre), RAL9006	0659

Cabinet dimension

Product dimension



VS ENVI® Space XX Pro with two-bin version (2x35 litres)



VS ENVI Kick

VS ENVI® Kick

KICK TO OPEN.

A system for a soft and comfortable opening of all front pull-outs such as the VS ENVI® Space. The ergonomically and pleasantly designed step, opens the waste bin system fully with little effort. The opening mechanism returns automatically to its starting position.

DETAILS

- Simple and hands-free door opening using foot pedal
- Minimum plinth height: 70 mm
- For all front pull-outs for example VS ENVI® Space with self-closing and soft-closing
- Easy installation with installation template provided with the kit
- EasyFit: tool-free installation of bin support onto the runners
- Minimum required space under the waste bin systems or drawers
- Later installation in any pull-out system with front opening possible
- Pedal is returned to starting position by a spring
- Virtually silent
- No scratching to the front

Art. No.	Details	TR
90006930	VS ENVI® Kick, chrome	0658



VS ADD® T.O.M.

VS ADD® T.O.M.

FINALLY, ENOUGH SPACE AND CLARITY FOR ALL THE LITTLE THINGS.

The drawer chaos in kitchens, apartments, bathrooms and offices has finally come to an end. All the small and useful things of our daily life that were stuffed into drawers are put into order and have their place now. T.O.M. , the Door Order Module, is a unique Vauth-Sagel invention. Optimal use of limited storage space; every inch is used in an efficient way. T.O.M. is simply a genius in using the space of cabinet doors that is normally wasted. Easy installation. Any cabinet door offers the necessary space for T.O.M.

DETAILS

- ✓ Cabinet widths: 400, 450, 500 and 600 mm
- ✓ Installation height: min. 480 mm
- ✓ Construction: high-tech aluminium frame with different storage elements made of scratch-proof clear plastic
- ✓ Available in 4 sizes
- ✓ Depth: 71 mm
- ✓ Four different kinds of storage elements in every T.O.M.
 - Low, but wide elements
 - Narrow, but deep elements
 - Magnetic areas
 - Hook strips with bungee cords
- ✓ Hidden fixing points, no screws spoil the sleek design
- ✓ Can be retrofitted
- ✓ Adapters for specific doors are included

Art. No.	Cabinet width	Details	TR
9290003313	400/450 mm	VS ADD® T.O.M.	0675
9290003314	500 mm	VS ADD® T.O.M.	0675
9290003315	600 mm	VS ADD® T.O.M.	0675

VS
COR

VS COR® - CORNER CABINETS

A corner cabinet is not simply a cabinet placed in a corner. With this conceptual approach, we have developed cabinet solutions that not only optimally utilize angled spaces, but instead put

the corner right in the centre of the kitchen experience. As a result, we open up unseen perspectives in the kitchen and allow people to experience space in a new way.



Right hand version



Left hand version

CORNERSTONE® MAXX

THE MAXXIMUM IN INNOVATION.

When you open the corner cabinet in the kitchen, you need a solution that meets you with the full contents - without obstructing the adjacent cabinets. CORNERSTONE® MAXX fulfills this need. Straight-extending kinematics with energy storage support, floating design with wide, stable shelf surface and simple installation. Your kitchen is upgraded in every respect as a result.

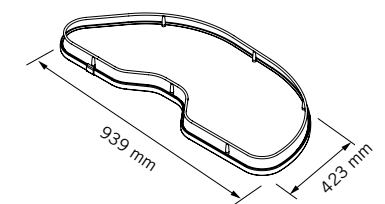
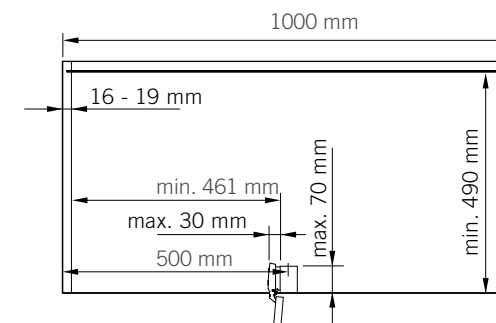
DETAILS

- ✓ Cabinet width: 1000 mm
- ✓ Door width: 500 mm
- ✓ Installation depth: min. 490 mm
- ✓ Load capacity: max. 25 kg per shelf
- ✓ EasyFit: tool-free assembly of shelf elements on the support arms
- ✓ PAM: power assisted movement in pull-out direction resulting in soft open and close
- ✓ Simple height adjustment, even when installed
- ✓ The bases can be moved in and out independently and do not obstruct
- ✓ Floating design due to hidden fastening
- ✓ Large-area shelves
- ✓ Storage versions: Rail

Art. No.	Cabinet width	Details	TR
90007432		CORNERSTONE® MAXX, Hardware set, RAL9006	0663
90007442	1000 mm	CORNERSTONE® MAXX, Rail, white chrome, right hand version	0663
90007513	1000 mm	CORNERSTONE® MAXX, Rail, white chrome, left hand version	0663
90007549		CORNERSTONE® MAXX, Hardware set, lava grey	0663
90007558	1000 mm	CORNERSTONE® MAXX, Rail, lava grey, left hand version	0663
90007559	1000 mm	CORNERSTONE® MAXX, Rail, lava grey, right hand version	0663

Cabinet dimension

Product dimension



CORNERSTONE® MAXX | Rail



CORNERSTONE® Swing | Rail

CORNERSTONE® Swing

THE CORNER IN THE CENTRE.

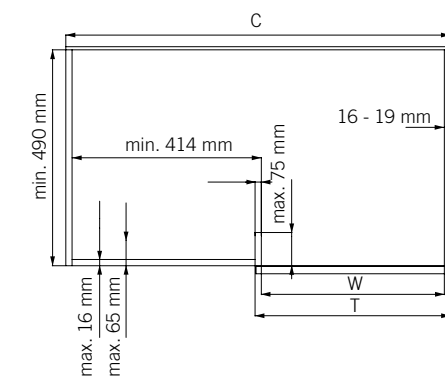
A CORNERSTONE® Swing carousel moves the entire content in front of the unit, thereby unlocking completely new design perspectives. The shelves swivel out to a comfortable distance away from the cabinet; everything is within easy reach. Each shelf can be attached at the required height and the shelves disappear back inside the unit when the door is closed.

DETAILS

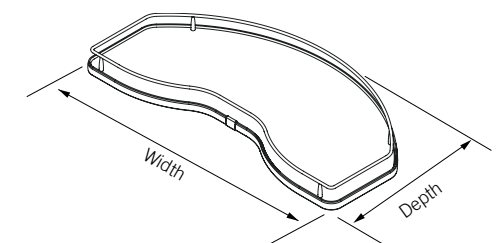
- ✓ Cabinet widths: 900 and 1000 mm
- ✓ Door widths: 450 and 500 mm
- ✓ L-movement of the shelves allows free access to neighboring cabinets
- ✓ Unhanded
- ✓ Easy assembly - only support tube needs to be mounted
- ✓ Optional door attachment
- ✓ **New:** soft-close damping

Art. No.	Cabinet width	Details	TR
9000 8085	900 mm	CORNERSTONE® Swing frame	06621
9000 8108	900 mm	CORNERSTONE® Swing, Rail, white chrome	06621
9000 8109	1000 mm	CORNERSTONE® Swing, Rail, white chrome	06621
9000 8183	1000 mm	CORNERSTONE® Swing, Soft-close	06621

Cabinet dimension



Product dimension



Door width	Width	Depth	Height
450 mm	776 mm	376 mm	61 mm
500 mm	816 mm	406 mm	61 mm



VS COR® Wheel Pro | Rail 3/4

VS COR® Wheel Pro

EVERYTHING REVOLVES AROUND YOU.

When it comes to kitchen corners, the more accessible storage space, the better. That's why this corner cabinet solution has no central, space-consuming standpipe, which gives you up to 20 percent more storage area – ideal for bulky kitchenware. The bases are held stable in the cabinet by an angled traverse. This function can also be used for under-sink cabinets, and the hidden mechanism also supports the aesthetic impression.

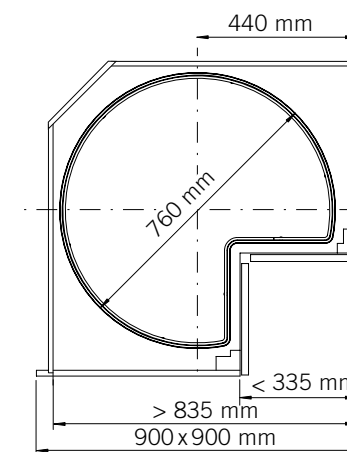
DETAILS

- ✓ Cabinet width: 900 x 900 mm
- ✓ Minimum side installation depth: 490 mm
- ✓ EasyFit: tool-free installation of storage units onto the supporting arms
- ✓ Flexible base positioning irrespective of cabinet height
- ✓ Can be installed in base, tall and wall cabinets
- ✓ Can be installed into an existing kitchen
- ✓ Load capacity: max. 27.5 kg per shelf
- ✓ Storage version: Rail

Art. No.	Cabinet width	Details	TR
30A90003855	900 mm	VS COR® Wheel Pro ,3/4, D760, Rail, chrome	0669

Note: Set includes two white shelves with chrome rail.

Cabinet dimension



VS COR® Wheel 3/4, Rail



VS COR® Fold | Premea



VS COR® Fold | Saphir



VS COR® Fold | Premea



Right hand version



Left hand version

VS COR® Fold

URNS A FOLD INTO KITCHEN GOLD.

Regardless of what you've stored in the corner cabinet – with this solution, you can reach it effortlessly. The front baskets swivel out effortlessly when opening and facilitate access to the rear baskets, which automatically move into the front cabinet section. The integral self-closing damping unit guarantees quiet, effortless closure of the pull-out.

DETAILS

- ✓ Cabinet widths: 900 and 1000 mm
- ✓ Door width: 400 and 500 mm
- ✓ Minimum installation depth: 485 mm
- ✓ Minimum installation height: 530 mm
- ✓ EasyFit: tool-free installation of the front onto pull-out
- ✓ 3D front adjustment allows simple, convenient front adjustment
- ✓ Individual height adjustment for baskets
- ✓ Maximum load: max. 8 kg per front basket, rear baskets 9.5 kg each
- ✓ Load capacity: max. 35 kg
- ✓ Storage versions: Saphir and Premea

VS COR® Fold with basket set

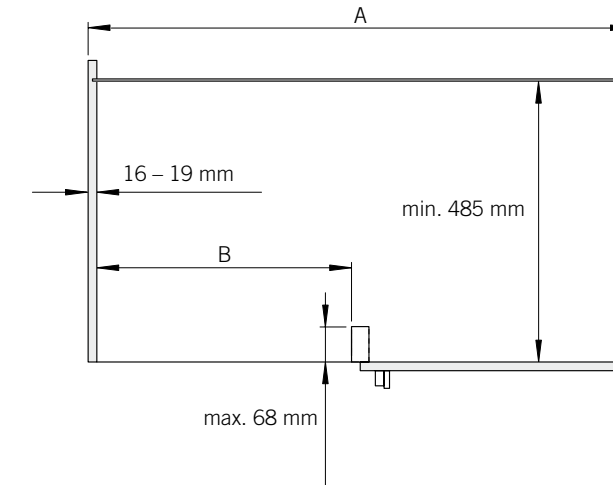
Art. No.	Cabinet width	Details	TR
2790003188	900 mm/496 mm	VS COR® Fold, left hand version, Saphir, RAL9006	0667
2890003187	900 mm/496 mm	VS COR® Fold, right hand version, Saphir, RAL9006	0667
2990003300	900 mm/496 mm	VS COR® Fold, left hand version, Premea, white chrome	0667
3090003301	900 mm/496 mm	VS COR® Fold, right hand version, Premea, white chrome	0667
3090004093	1000 mm/396 mm	VS COR® Fold, left hand version, Saphir, RAL9006	0667
3090004094	1000 mm/396 mm	VS COR® Fold, right hand version, Saphir, RAL9006	0667

Note: Set includes two front baskets and two rear baskets.



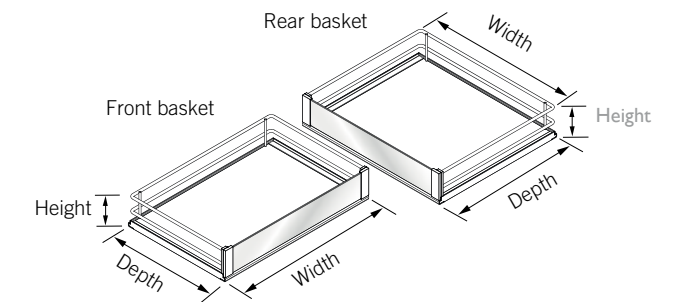
VS COR® Fold | Premea

Cabinet dimension



Door	A	B
400 mm	1000 mm	361 mm
≥ 450 mm	≥ 900 mm	≥ 411 mm

Product dimension



Basket size 900 mm	Width	Depth	Saphir	Premea
Front basket	450 mm	230 mm	75 mm	84 mm
Rear basket	330 mm	370 mm	75 mm	84 mm

Basket size 1000 mm	Width	Depth	Saphir	Premea
Front basket	450 mm	350 mm	75 mm	84 mm
Rear basket	470 mm	370 mm	75 mm	84 mm



VS COR® Flex | Saphir

VS COR® Flex

ACCESS TO EVERY CORNER.

Even the largest storage space is useless if it's not accessible. That's why this system enables full access to the cabinet contents, transforming every corner into functional space. Installation is unhanded: the frame is mounted to the bottom of the corner cabinet.

DETAILS

- ✓ Cabinet width: 900 and 1000 mm
- ✓ Door widths: 450 - 600 mm
- ✓ Minimum installation depth: 480, 500, 575 mm
- ✓ Minimum installation height: 530 mm
- ✓ Integrated soft-closing and self-closing on both pull-outs
- ✓ Installation template: no measuring necessary when installing into cabinet
- ✓ The same system can be installed for a left and right hand application
- ✓ Maximum load: 8 kg per basket
- ✓ Load capacity: max. 32 kg
- ✓ Storage version: Saphir



How to order VS COR® Flex:

1. Select VS COR® Flex frame.
2. Select VS COR® Flex basket sets.

VS COR® Flex frame

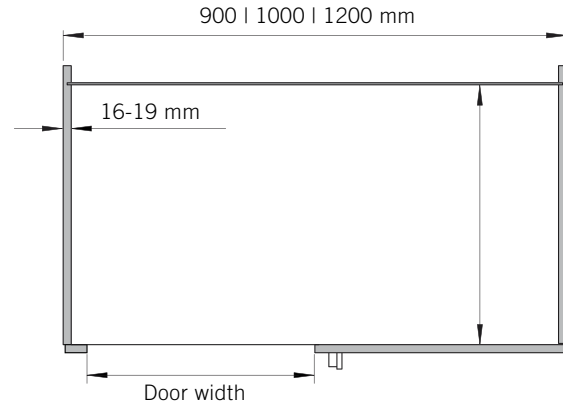
Art. No.	Door width	Cabinet width	Details	TR
90006112	450 mm	900 mm	VS COR® Flex, frame	0668
90006113	500/600 mm	1000/1200 mm	VS COR® Flex, frame	0668

VS COR® Flex basket sets

Art. No.	Door width	Cabinet width	Details	TR
90006114	450/446 mm	900 mm	Flex corner, Saphir chrome	0688
90006115	500/496 mm	1000 mm	Flex corner, Saphir chrome	0688
90006116	600/596 mm	1200 mm	Flex corner, Saphir chrome	0688

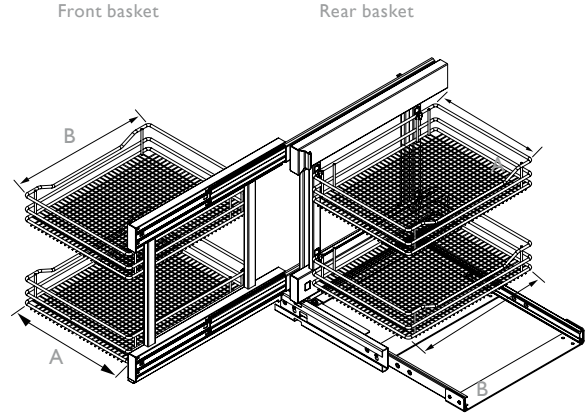
Note: Set includes two front baskets and two rear baskets.

Cabinet dimension



	K900	K1000	K1200
Door width A	≥ 381 mm	≥ 445 mm	≥ 521 mm

Product dimension



Size	Width A	Depth B
Size 900 mm		
Front basket	280 mm	415 mm
Rear basket	280 mm	415 mm
Size 1000 mm		
Front basket	350 mm	415 mm
Rear basket	325 mm	415 mm
Size 1200 mm		
Front basket	350 mm	415 mm
Rear basket	400 mm	415 mm

VS
TAL

VS TAL[®] - TALL CABINETS

An elegant tall cabinet is the gateway to a good kitchen life. As a storage cabinet for food or as a practical storage option for kitchen utensils, it significantly contributes to improved working ef-

iciency and an increased quality of life. Neither narrow gaps nor small opening angles stand in the way of our top cabinet solutions.



VS TAL® Larder | Planero



VS TAL® Larder | Saphir



VS TAL® Larder | Premea



VS TAL® Larder | Artline

VS TAL® Larder

YOUR STOCKPILE OF ACCESSIBLE STORAGE SPACE.

Every kitchen needs a little elegance. The front opens and shuts easily and silently due to the damping and self closing mechanism of the full extension runners. The frame and the front connections are designed in a high-quality, double powder-coated surface.

DETAILS

- ✓ Cabinet widths: 300, 400 and 500 mm
- ✓ Installation depth: 500 mm
- ✓ Installation height: VS TAL Larder 3: 1200 - 1450 mm (4 baskets)
VS TAL Larder 5: 1700 - 1950 mm (5 baskets)
- ✓ EasyFit: self-locking system for tool-free installation of frame into upper and lower guide rails
- ✓ 3-D front adjustment allows simple, convenient front adjustment
- ✓ Front stabilised by fascia strips
- ✓ Individual height adjustment for baskets
- ✓ Heavy-duty, noise-restricted roller guides
- ✓ Synchronised upper and lower end stops
- ✓ Full synchronised bottom runner
- ✓ PAM: optional Power Assisted Movement in pull-out direction
- ✓ Self- and soft close
- ✓ Load capacity: max. 80 kg
- ✓ Total load capacity: max. 120 kg
- ✓ Storage versions: Saphir, Premea, Artline and Planero



VS TAL® Larder | Premea

How to order VS TAL® Larder:

1. Order VS TAL® Larder runner
2. Add VS TAL® Larder frame
3. Select door adapter
4. Add number of required baskets

VS TAL® Larder frame with basket set

Art. No.	Cabinet width	Details	TR
90008198		VS TAL® Larder, runner	0670
90008215		VS TAL® Larder 3 (1200-1450 mm), frame, RAL9006	0670
90008217		VS TAL® Larder 5 (1700-1950 mm), frame, RAL9006	0670
4090001278	300 mm	VS TAL® Larder, door adapter, RAL9006	0670
4190001244	400 mm	VS TAL® Larder, door adapter, RAL9006	0670
4290001248	500 mm	VS TAL® Larder, door adapter, RAL9006	0670
3390000578	300 mm	VS TAL® Larder, Saphir, chrome (2 baskets)	0670
3490000582	300 mm	VS TAL® Larder, Saphir, chrome (3 baskets)	0670
3990003584	300 mm	VS TAL® Larder, Premea, white chrome (5 baskets)	0670
3390004828	300 mm	VS TAL® Larder, Artline, clear glass (single basket)	0670
3590000580	400 mm	VS TAL® Larder, Saphir, chrome (2 baskets)	0670
3690000584	400 mm	VS TAL® Larder, Saphir, chrome (3 baskets)	0670
4090002832	400 mm	VS TAL® Larder, Premea, white chrome (5 baskets)	0670
3390005321	400 mm	VS TAL® Larder, Artline, clear glass, (single basket)	0670
3790000580A	500 mm	VS TAL® Larder, Saphir, chrome (2 baskets)	0670
3890000584B	500 mm	VS TAL® Larder, Saphir, chrome (3 baskets)	0670

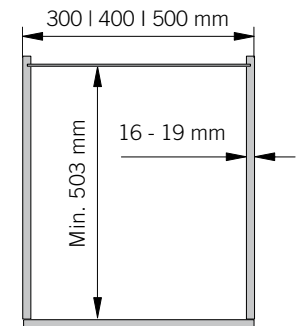
VS TAL® Larder Basket divider

Art. No.	Cabinet width	Details	TR
90002616		VS TAL® Larder, Basket divider, for 8 bottles, chrome	0670
90002620		VS TAL® Larder, Basket divider, for 12 bottles, chrome	0670

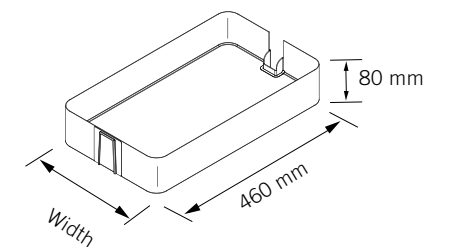
VS TAL® Larder frame with Planero basket

Art. No.	Cabinet width	Details	TR
90008198		VS TAL® Larder, runner, lava grey	0670
90006651		VS TAL® Larder, door adapter, lava grey	0670
90008223		VS TAL® Larder 5 (1700-1950 mm), frame, lava grey	0670
90007657	400 mm	VS TAL® Larder, Planero, lava grey (2 baskets)	0670
90007658	400 mm	VS TAL® Larder, Planero, lava grey (3 baskets)	0670
90002616		VS TAL® Larder, Basket divider, for 8 bottles, chrome	0670
90002620		VS TAL® Larder, Basket divider, for 12 bottles, chrome	0670

Cabinet dimension

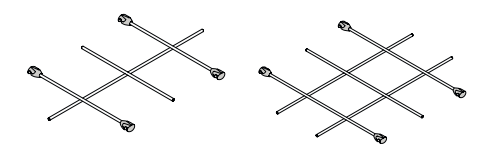


Product dimension



Cabinet width	Width
300 mm	250 mm
400 mm	350 mm
500 mm	450 mm

Basket divider



For 8 bottles

For 12 bottles



VS TAL® Larder | Classic

VS TAL® Larder

YOUR STOCKPILE OF ACCESSIBLE STORAGE SPACE.

Every kitchen needs a little elegance. The front opens and shuts easily and silently due to the damping and self closing mechanism of the full extension runners. The frame and the front connections are designed in a high-quality, double powder-coated surface.

DETAILS

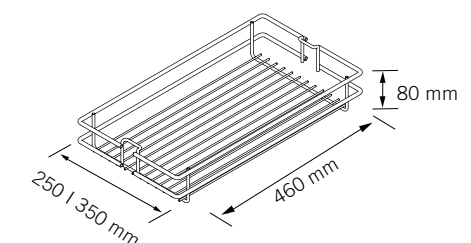
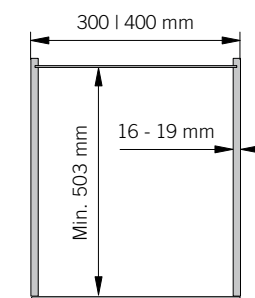
- ✓ Cabinet widths: 300 and 400 mm
- ✓ Installation depth: 500 mm
- ✓ Installation height: 1700 - 1950 mm (5 baskets)
- ✓ EasyFit: self-locking system for tool-free installation of frame into upper and lower guide rails
- ✓ 3-D front adjustment allows simple, convenient front adjustment
- ✓ Individual height adjustment for baskets
- ✓ Heavy-duty, noise-restricted roller guides
- ✓ Synchronised upper and lower end stops
- ✓ Full synchronised bottom runner
- ✓ PAM: optional Power Assisted Movement in pull-out direction
- ✓ Self- and soft close
- ✓ Load capacity: max. 80 kg
- ✓ Total load capacity: max. 120 kg
- ✓ Storage versions: Classic

Art. No.	Cabinet width	Details	TR
4490004527		VS TAL® Larder, runner, RAL9006	0671
4390005701		VS TAL® Larder 5 (1700-1950 mm), frame, RAL9006	0671
4790004528	300 mm	VS TAL® Larder, front attachment, RAL9006	0671
4590000629	300 mm	VS TAL® Larder, Classic, RAL9006	0671
90004529	400 mm	VS TAL® Larder, front attachment, RAL9006	0671
4690000310	400 mm	VS TAL® Larder, Classic, RAL9006	0671

Note: Set includes 5 baskets.

Cabinet dimension

Product dimension





VS TAL® Larder Power Move

VS TAL® Larder Power Move

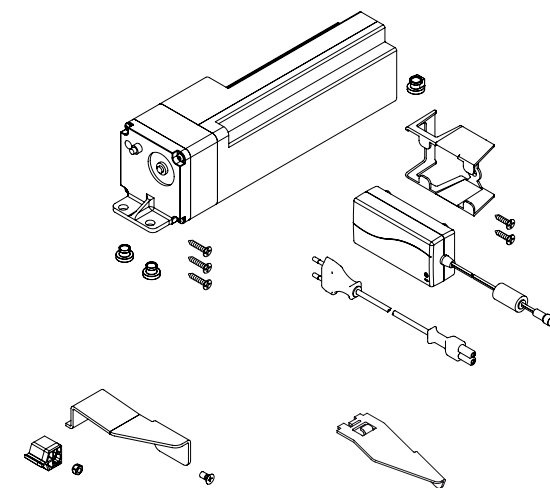
ELECTRIC MOTOR SUPPORT FOR SUPER EASY OPENING.

A typical situation in kitchens every day: No free hand to open the cabinet? That is no problem anymore because a gentle pushing at the front triggers the opening process. Silently and smoothly the door opens also because of an integrated pull-out damping. Frame and fronts are made of the same high quality double powder-coated surface by a high-grade appearance.

DETAILS

- ✓ Cabinet widths: 300 and 400 mm
- ✓ Installation depth: 500 mm
- ✓ Installation height: VS TAL Larder Spin 6: 1900 - 2140 mm (5 baskets)

Art. No.	Cabinet width	Details	TR
4690003316	150 mm	VS TAL® Larder Power Move	0670
4690003557	150 mm	VS TAL® Larder Power Move	0670



Adapter for VS TAL® Larder

Adapter for VS TAL® Larder rotary



VS TAL® Gate | Planero



VS TAL® Gate | Saphir



VS TAL® Gate | Artline

VS TAL® Gate

THE GATEWAY TO MAXIMUM STORAGE SPACE.

This tall cabinet solution opens up the best perspectives in the kitchen. Developed for maximum storage space and easy access, it sets new standards in convenience and design. It is particularly characterized by the opening mechanism that automatically moves the stored goods toward the user in one go, providing for an optimal overview.

DETAILS

- ✓ Cabinet widths: 500 and 600 mm
- ✓ Minimum installation depth: 480 mm
- ✓ Installation height: VS TAL Gate 5: 1700 - 1950 mm (5 baskets)
- ✓ Unhanded
- ✓ EasyFit: tool-free installation of frame onto the lower runners
- ✓ EasyFit: tool-free attachment of carriers to mounting frame
- ✓ Individual height-adjustment for baskets
- ✓ Load capacity: max. 75 kg
- ✓ Storage versions: Saphir, Premea, Artline and Planero



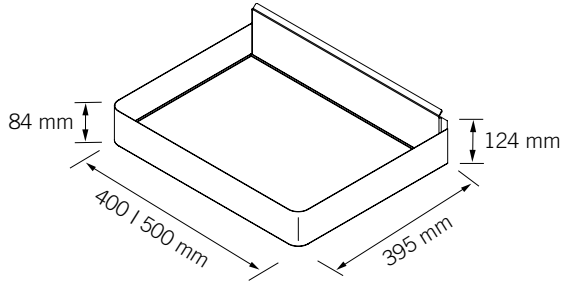
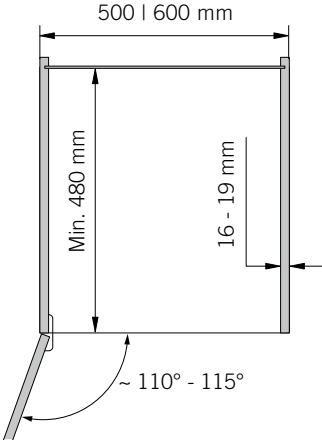
VS TAL® Gate frame with basket set

Art. No.	Cabinet width	Details	TR
4790005451		VS TAL® Gate, runner	0673
4890005454	500 mm	VS TAL® Gate (1700 - 1950 mm) frame, RAL9006	0673
4990005458	600 mm	VS TAL® Gate (1700 - 1950 mm) frame, RAL9006	0673
5090005468	500 mm	VS TAL® Gate, Saphir, chrome	0673
5090005666	500 mm	VS TAL® Gate, Premea, white chrome	0673
5090005476	500 mm	VS TAL® Gate, Artline, clear glass	0673
5190005469	600 mm	VS TAL® Gate, Saphir, chrome	0673
5090005667	600 mm	VS TAL® Gate, Premea, white chrome	0673
5090005477	600 mm	VS TAL® Gate, Artline, clear glass	0673
90007610		VS TAL® Gate, runner, lava grey	0673
90007481	500 mm	VS TAL® Gate, frame, lava grey	0673
90006717	500 mm	VS TAL® Gate, door adapter, lava grey	0673
90007986	500 mm	VS TAL® Gate, Planero, lava grey (2 baskets)	0673
90007987	500 mm	VS TAL® Gate, Planero, lava grey (3 baskets)	0673

Note: Set includes 5 baskets.

Cabinet dimension

Product dimension



Note: Recommended hinges ~110° to 115° (not included). If soft-closing required, hinges with damper must be used.



VS TAL® Gate N | Saphir

VS TAL® Gate N

SPACE NEVER RUNS SHORT HERE.

Space-saving solutions are especially important in the kitchen: like this practical pull-out that gets the best out of narrow tall cabinets. With a single grip it provides an insight into the entire contents of the cabinets. The approx. 160° door opening and the height-adjustable shelves allow for customized adjustments.

DETAILS

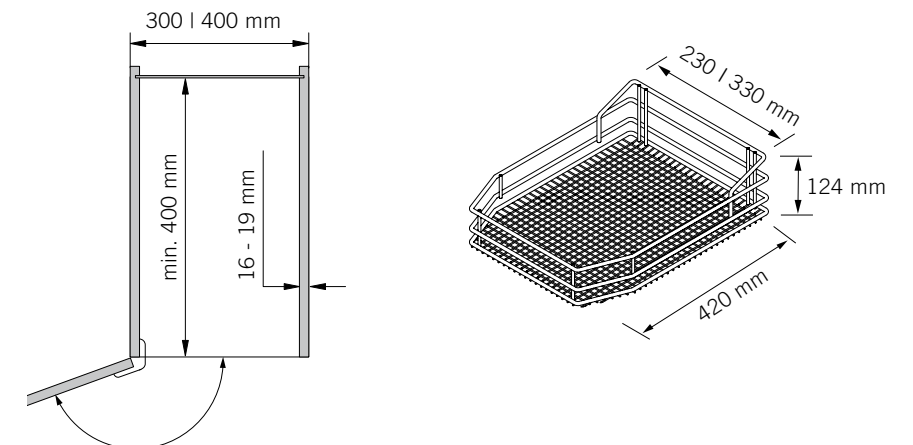
- ✓ Cabinet widths: 300 and 400 mm
- ✓ Minimum installation depth: 480 mm
- ✓ Installation height: 1700 - 1950 mm
- ✓ Unhanded
- ✓ EasyFit: tool-free installation of frame onto the lower runners
- ✓ EasyFit: tool-free attachment of carriers to mounting frame
- ✓ Individual height adjustment for baskets
- ✓ Load-capacity: max. 75 kg
- ✓ Storage version: Saphir

Art. No.	Cabinet width	Details	TR
4790005451		VS TAL® Gate N, runner	0673
4690006295	300 mm	VS TAL® Gate N (1700 - 1950 mm), frame, RAL9006	0673
4790005582	400 mm	VS TAL® Gate N (1700 - 1950 mm), frame, RAL9006	0673
4690006313	300 mm	VS TAL® Gate N, Saphir, chrome	0673
4790006310	400 mm	VS TAL® Gate N, Saphir, chrome	0673

Note: Set includes 5 baskets.

Cabinet dimension

Product dimension





VS TAL® Larder Spin | Premea

VS TAL® Larder Spin

A PULL-OUT THAT TURNS IT ALL AROUND.

It's often the details that make a kitchen more comfortable. Based on the reliable pharmacy pull-out, this solution provides convenient added value: it can be rotated completely to the right or left when extended allowing free access to the stored.

DETAILS

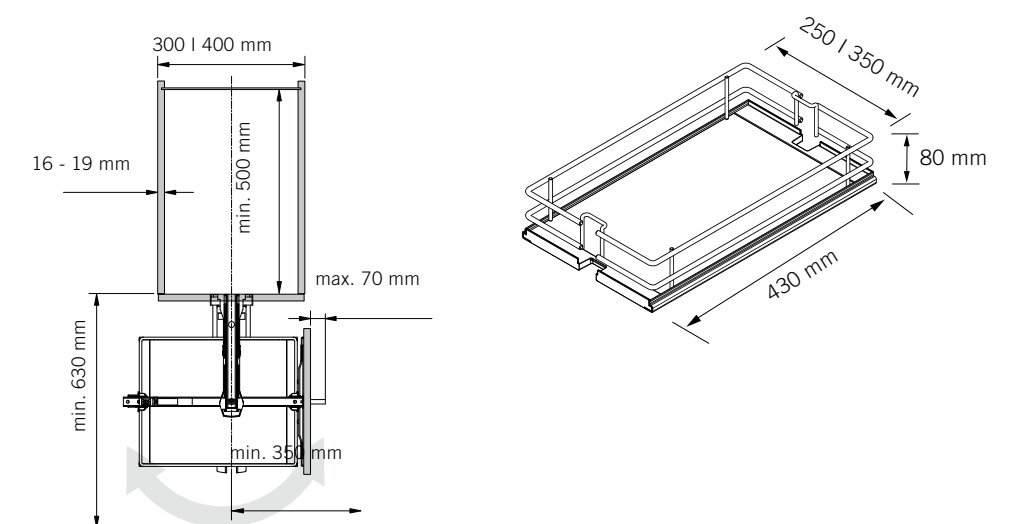
- ✓ Cabinet widths: 300 and 400 mm
- ✓ Installation depth: 500 mm
- ✓ Installation height: VS TAL® Larder Spin 6: 1900 - 2140 mm (5 baskets)
- ✓ Front stabilised by fascia strips
- ✓ Rails with high performance wheels for a total load of 120 kg
- ✓ 3D front adjustment allows simple, convenient front alignment
- ✓ Functional clip for height adjustable basket assembly; firm grip and low-noise level
- ✓ Storage version: Premea

Art. No.	Cabinet width	Details	TR
4390003118	300 mm	VS TAL® Larder Spin, Premea, RAL9006	0672
4490003122	400 mm	VS TAL® Larder Spin, Premea, RAL9006	0672

Note: Set includes 5 baskets.

Cabinet dimension

Product dimension





VS TAL® Bottle 15



VS TAL® Rack 15

VS TAL® Bottle 15

A PULL-OUT THAT TURNS IT ALL AROUND.

It's often the details that make a kitchen more comfortable. Based on the reliable pharmacy pull-out, this solution provides convenient added value: it can be rotated completely to the right or left when extended allowing free access to the stored.

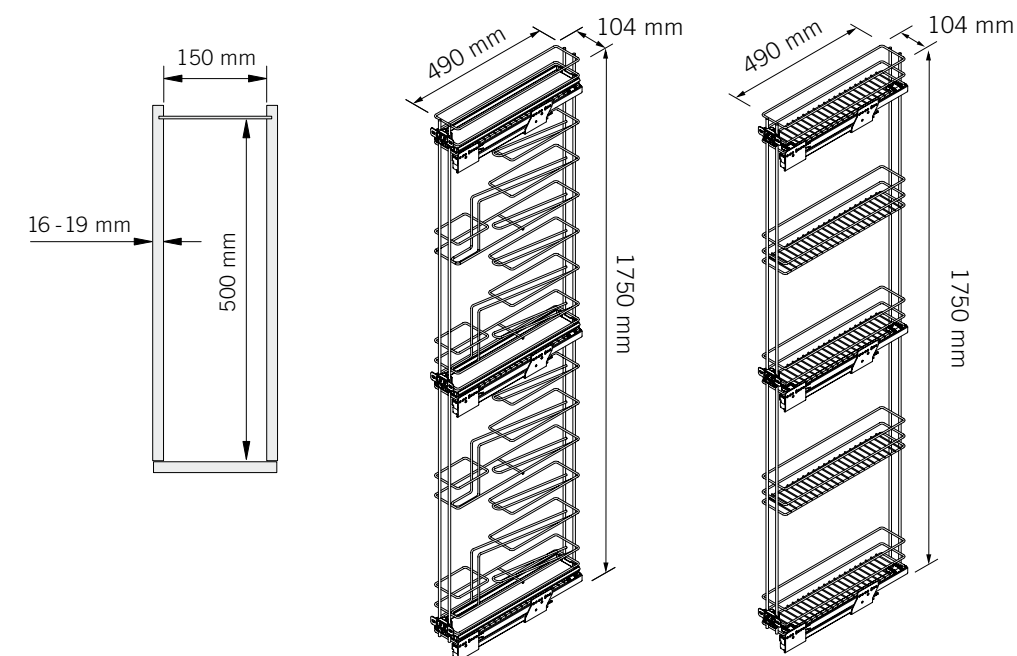
DETAILS

- ✓ Cabinet width: 150 mm
- ✓ Installation depth: min. 500 mm
- ✓ Installation height: min. 1780 mm
- ✓ Optimum air circulation
- ✓ Brings the contents in front of the cabinet
- ✓ Front rack with connection to the front
- ✓ Load capacity: max. 25 kg
- ✓ Includes shelves and bottle holders

Art. No.	Cabinet width	Details	TR
0590006348	150 mm	VS TAL® Bottle 15, chrome	0653
0590006347	150 mm	VS TAL® Rack 15, chrome	0653

Cabinet dimension

Product dimension



VS TAL® Bottle 15

VS TAL® Rack 15

ABOUT VAUTH-SAGEL

Since 1962, our name has stood for entrepreneurial independence, quality and sustainability. This makes us proud – and gives our customers confidence in having chosen the right partner.



” *Sustainability?
Is our way of life.*

Ecology and sustainability are increasingly the foundation of our daily decisions. Together with our goal-oriented product development and a future-oriented corporate policy, conscientious behavior toward people and the environment is one of the pillars of our success. This not only includes a commitment to observing laws and regulations, but also the intention to examine every process, day by day, and to optimize them beyond these requirements. We are filled with pride to prove that an environmentally responsible implementation of processes is possible.



” *Those who work with many materials, must know many materials.*

When it comes to materials, perfection is our only standard. Whether wire, steel, sheet metal, wood or plastic – with our customized system solutions, we offer unique material expertise from a single source, resulting in a unique value-added chain. Our production in the heart of Germany, our enormous technical expertise and our commitment to always operating at the highest level in terms of process and quality give us and our customers the possibility to find new opportunities together.



” *A future always
needs a past.*

Vauth-Sagel has successfully been in business for more than 50 years. Since the baby boomer days of the 1960's to the rediscovery of the kitchen in the 80's – we have recognized and shaped social trends. Just as long we have been a close partner to kitchen industry. Our reliability commits us to lasting quality. We consider the internationally famous expression "Made in Germany" to be a promise that we commit to every day. This is the driving force to improve our efforts every day.



CONTACT



Carlo Casagrande & Co Oy

Hitsaajankatu 24

00810 Helsinki

Finland

Sales

Phone: +358 9 755131

Fax: +358 9 75513355

E-mail: tilaukset@carlocasagrande.fi

Web: www.carlocasagrande.fi



VAUTH-SAGEL GmbH & Co. KG

Neue Straße 27

D-33034 Brakel-Erkeln

Germany

Phone: +(49) 0 5272 601 - 01

Fax: +(49) 0 5272 601 - 191

E-mail: vs@vauth-sagel.de

Web: www.vauth-sagel.com

Imprint

All parts of this brochure are property of Vauth-Sagel. Reproduction of the brochure or parts thereof in any form is prohibited without our approval.

We reserve all rights under copyright law. Any liability for typographical mistakes or errors is excluded. The dimensions are non-binding. We reserve the right to make design and technical changes.

FSC® (FSC-C116128)

We purchase and use primarily FSC® mix "from responsible sources." The purchase, storage, processing and sale of FSC® products are monitored by an FSC®-accredited certifier. Our certification runs under the so-called COC (chain of custody), the so-called product chain. The product chain certification system guarantees to the consumer that the wood product with the FSC® seal actually originates from a certified and responsibly managed forestry operation.

Publisher

Vauth-Sagel | Neue Straße 27 | 33034 Brakel-Erkeln | Phone: +49 (0) 5272 601-01

Email: vs@vauth-sagel.com | www.vauth-sagel.com

Version: May 2019 | © by Vauth-Sagel | All Rights Reserved.

